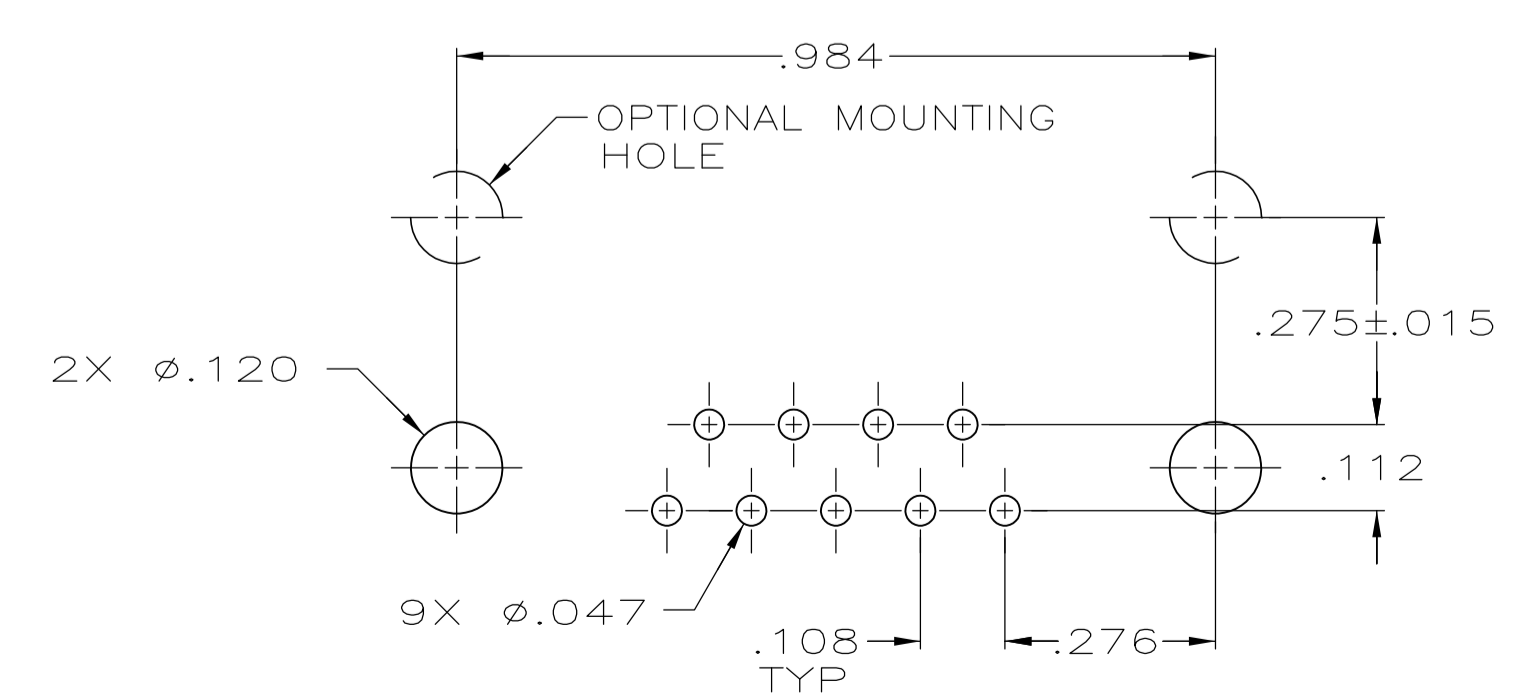
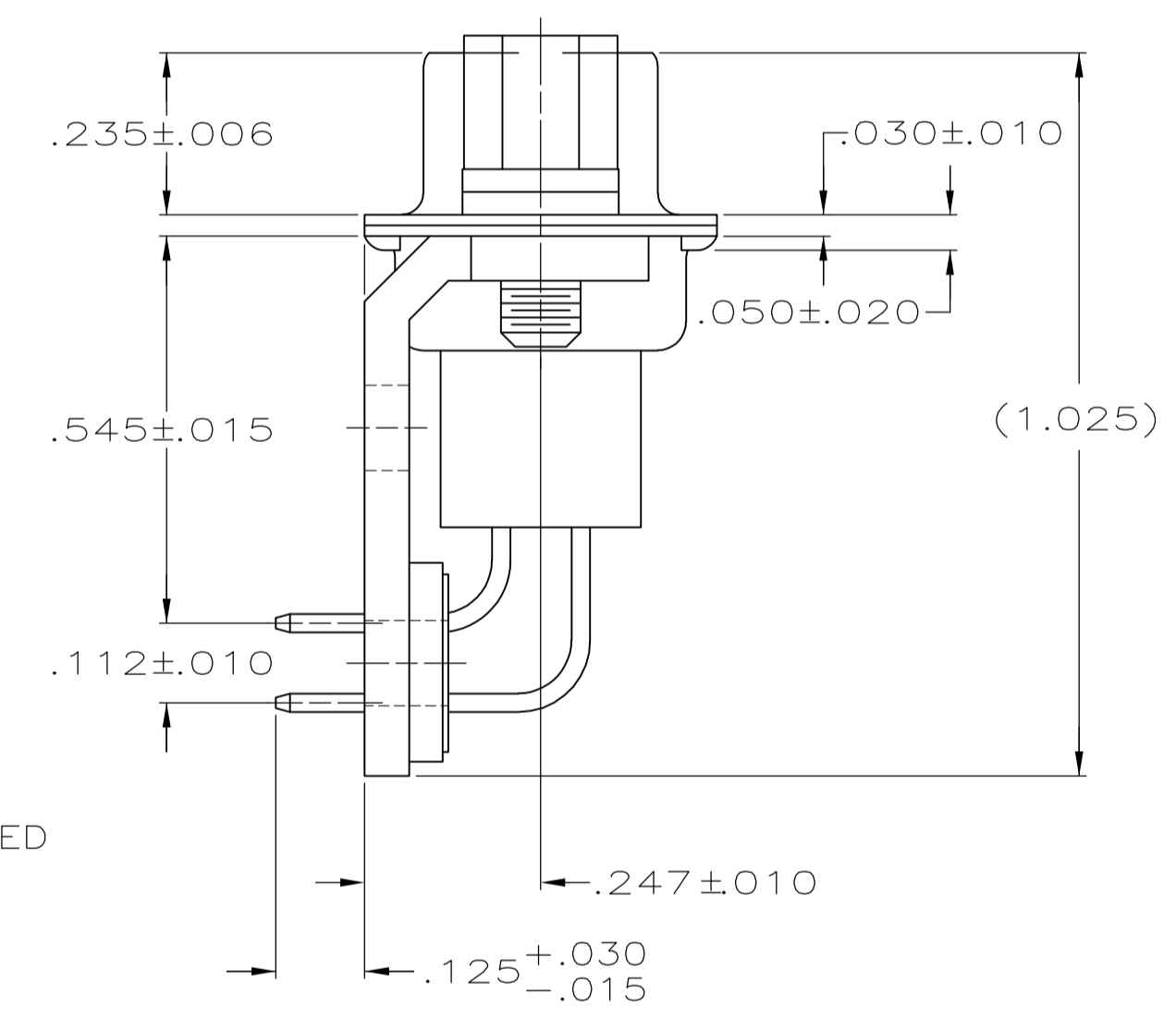
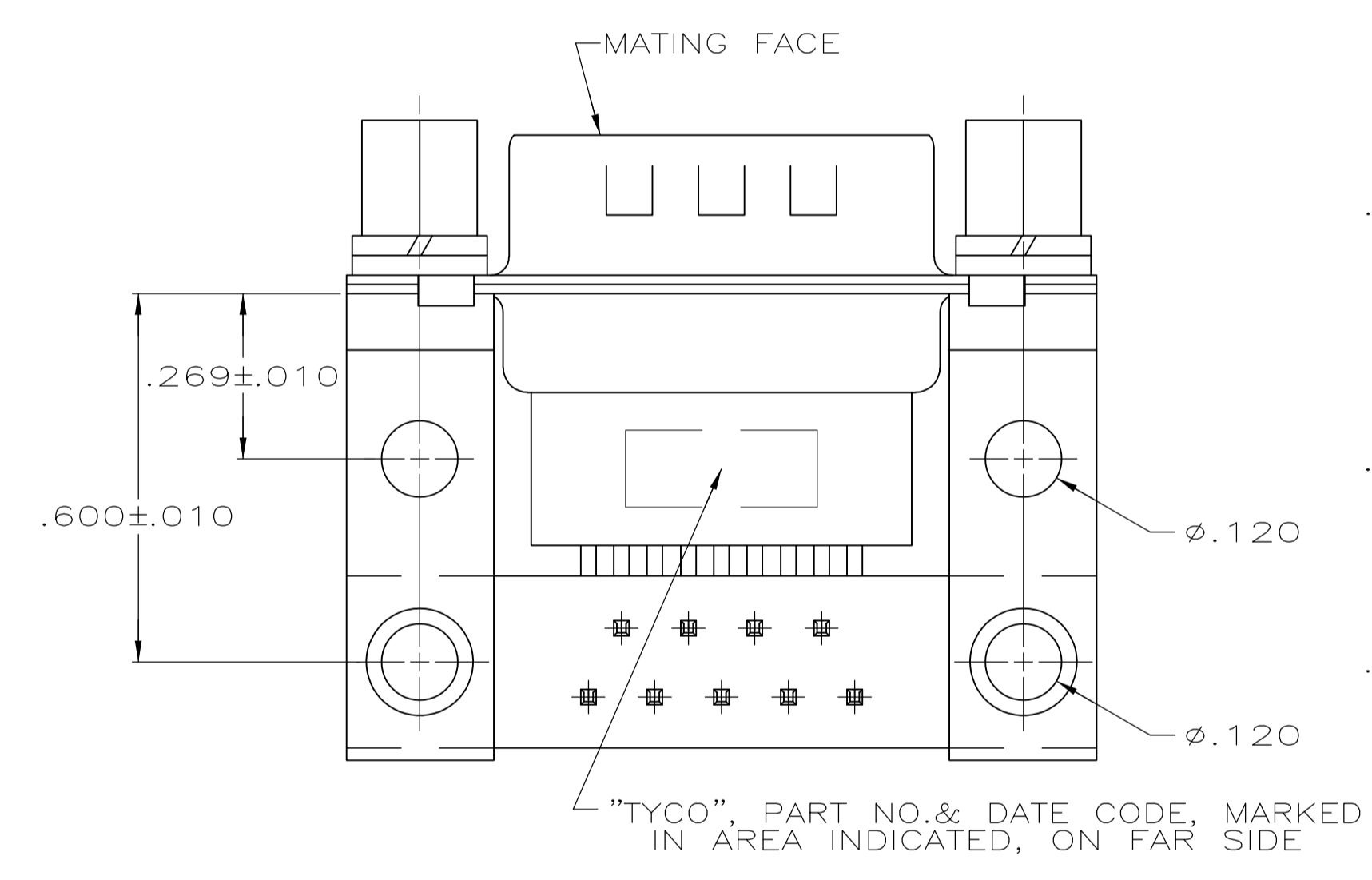
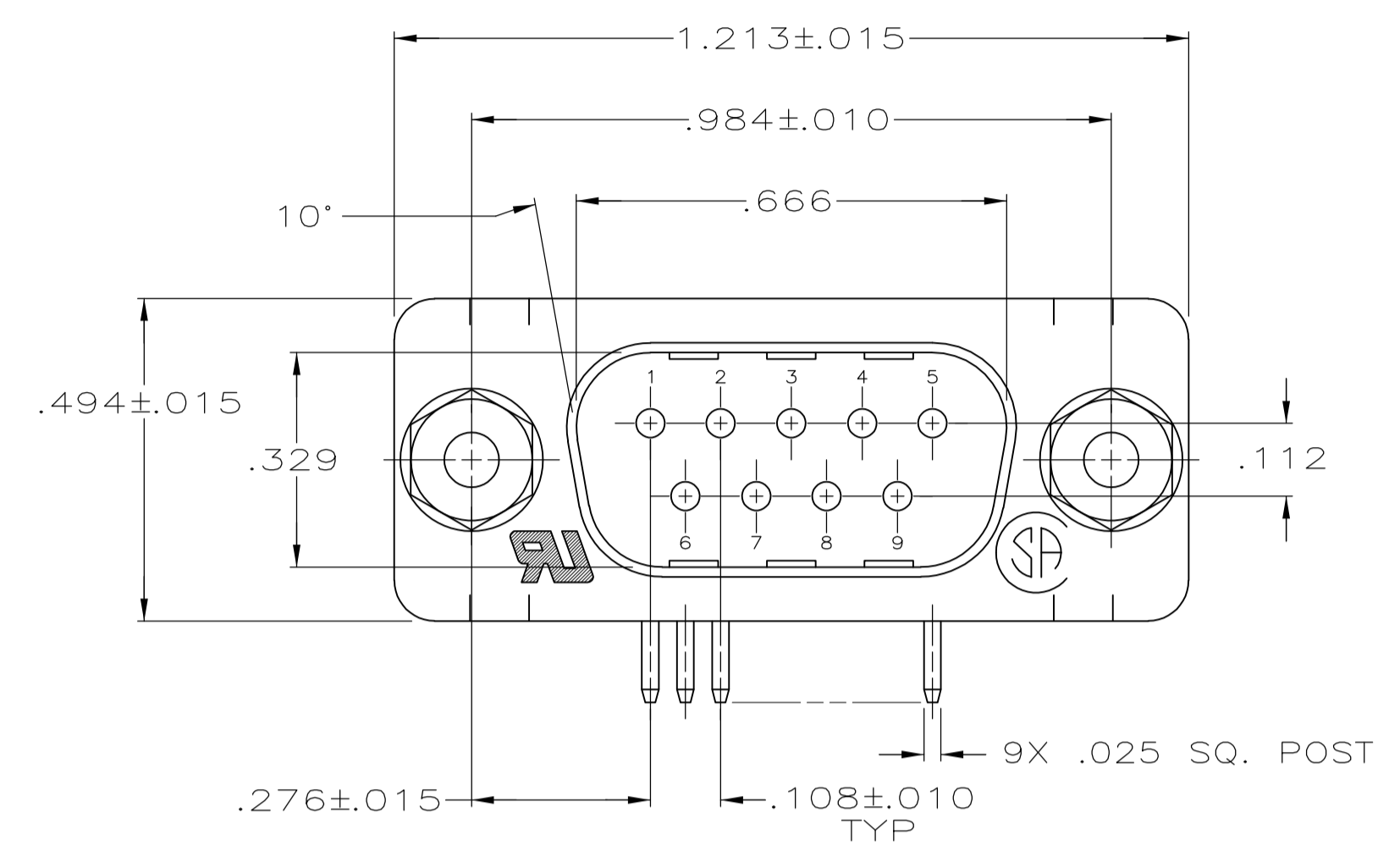


LOC		DIST		REVISIONS			
P	LTR	DESCRIPTION	DATE	DMN	APVD	REV	BY
B		REVISED PER ECO-14-011808	12AUG2014	AP	SB		



P.C. BOARD MOUNTING DIMENSIONS

- ▲ MOLDED PARTS: GLASS-FILLED PBT OR GLASS-FILLED NYLON, UL94V-0 RATED. COLOR: BLACK.
- SHELLS & BRACKETS: CARBON STEEL.
- CONTACTS: BRASS
- SCREWLOCKS AND WASHERS: CARBON STEEL.
- ▲ SHELLS: .000200 MIN TIN OVER .000100 MIN COPPER.
- BRACKETS: .000200 MIN TIN OVER .000050 MIN COPPER.
- SCREWLOCKS AND WASHERS: ZINC PLATED WITH CLEAR CHROMATE COATING.
- CONTACTS: GOLD PLATED FOR A LENGTH OF .150 MIN FROM MATING END, .000030 MIN GOLD IN MATED AREA, .000100 MIN TIN ON OPPOSITE END, BOTH OVER .000050 MIN NICKEL.
- OR-
- GOLD FLASH OVER PALLADIUM NICKEL PLATED FOR A LENGTH OF .150 MIN FROM MATING END, .000030 MIN PALLADIUM NICKEL IN MATED AREA, .000100 MIN TIN ON OPPOSITE END, BOTH OVER .000050 MIN NICKEL.

5747197-4
PART NUMBER

THIS DRAWING IS A CONTROLLED DOCUMENT.		DIN	D. HENNY	9-4-05	TE Connectivity
DIMENSIONS: INCHES		CHK	S. BOLASH	9-4-05	
TOLERANCES UNLESS OTHERWISE SPECIFIED:		APVD	M. WALMSLEY	9-4-05	
0 PLC ± - 1 PLC ± - 2 PLC ± - 3 PLC ± .005 4 PLC ± - ANGLES ± °		NAME	PLUG ASSEMBLY, SIZE 1, 9 POSITION, RIGHT ANGLE, .545 SERIES, .025 SQ. POSTS, WITH SCREWLOCKS, AMPLIMITE HDP		
MATERIAL		SIZE	CAGE CODE	DRAWING NO	RESTRICTED TO
FINISH		WEIGHT	A1	00779	5747197
CUSTOMER DRAWING		SCALE	4:1	SHEET	1 OF 1